

1 2 3 4 5 6

A

A

B

B

C

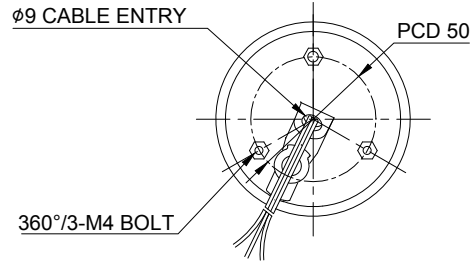
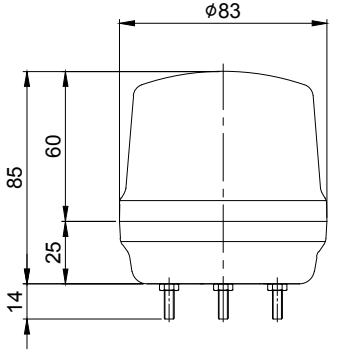
C

D

D

MARK	DATE	REVISION	REVISER	APP .BY
①				
②				
③				

MODEL NO		QMCL80		
MATERIAL		HOUSING-ABS		
MATERIAL		LENS-PC		
COLOR OF LENS		7 COLORS		
USE VOLT.	LED	CURRENT	0.2W	0.170A
				0.120A
VOLUME		MAX. 80dB at 1m		
PROTECTION GRADE		WATER & DUST PROOF IP65		
CABLE ENTRY		ø9 LEAD HOLE		
COLOR OF HOUSING		MAKER STANDARD		
ACTION		LED STEADY/FLASHING LIGHT		



	ISO2768-1 : CLASS OF TOLERANCE					SURFACE FINISH
	f	m	Ⓢ	v		
FOR LINEAR DIMENSIONS	0.5~3	±0.05	±0.1	±0.2	-	
	3~6			±0.3	±0.5	
	6~30	±0.1	±0.2	±0.5	±1	
	30~120	±0.15	±0.3	±0.8	±1.5	
	120~400	±0.2	±0.5	±1.2	±2.5	
	400~1000	±0.3	±0.8	±2	±4	
FOR ANGULAR DIMENSIONS	0~10	±1°		±1°30'	±3°	
	10~50	±0°30'		±1°	±2°	
	50~120	±0°20'		±0°30'	±1°	
	120~400	±0°10'		±0°13'	±0°30'	

Nr.	DWG. NO.	TITLE/ NAME	MAT'L	QTY	REFERENCE
DSND BY	CHKD BY	CHKD BY	APRV BY	VIEW	DATE
S.H.KIM	J.H.PARK		J.K.HAN	3	2019.03.20
TITLE			MODEL		
QMCL100 OUTLINE DRAWING			QMCL80		
			DWG. NO.		
			QMCL80_OUT		
SCALE	SIZE	REV	SHEET		
N/S	A4	00	1/1		

1 2 3 4 5 6 A4(297X210)