

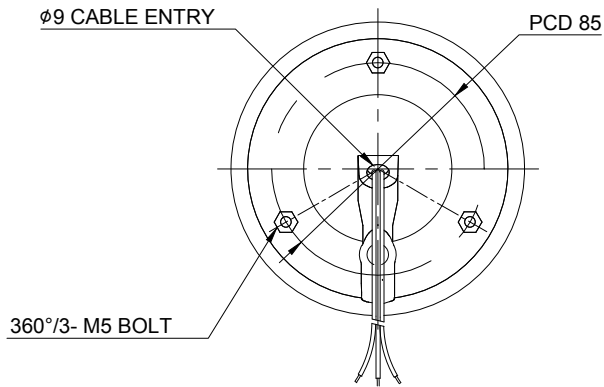
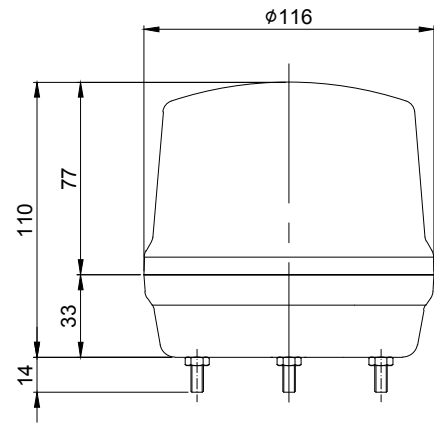
1 2 3 4 5 6

A

B

C

D



| MARK | DATE | REVISION | REVISER | APP .BY |
|------|------|----------|---------|---------|
| ① | | | | |
| ② | | | | |
| ③ | | | | |

| | | | | |
|------------------|-----|---------------------------|------|--------|
| MODEL NO | | QMCL125 | | |
| MATERIAL | | HOUSING-ABS | | |
| MATERIAL | | LENS-PC | | |
| COLOR OF LENS | | 7 COLORS | | |
| USE VOLT. | LED | CURRENT | 0.2W | 0.245A |
| | | | | 0.170A |
| VOLUME | | MAX. 80dB at 1m | | |
| PROTECTION GRADE | | WATER & DUST PROOF IP65 | | |
| CABLE ENTRY | | $\phi 9$ LEAD HOLE | | |
| COLOR OF HOUSING | | MAKER STANDARD | | |
| ACTION | | LED STEADY/FLASHING LIGHT | | |

| | ISO2768-1 : CLASS OF TOLERANCE | | | | | SURFACE FINISH |
|------------------------|--------------------------------|------------|-------------------|-------------------|-------------------|----------------|
| | f | m | (C) | v | | |
| FOR LINEAR DIMENSIONS | 0.5~3 | ± 0.05 | ± 0.1 | ± 0.2 | - | |
| | 3~6 | | | ± 0.3 | ± 0.5 | |
| | 6~30 | ± 0.1 | ± 0.2 | ± 0.5 | ± 1 | |
| | 30~120 | ± 0.15 | ± 0.3 | ± 0.8 | ± 1.5 | |
| | 120~400 | ± 0.2 | ± 0.5 | ± 1.2 | ± 2.5 | |
| | 400~1000 | ± 0.3 | ± 0.8 | ± 2 | ± 4 | |
| FOR ANGULAR DIMENSIONS | 0~10 | | $\pm 1^\circ$ | $\pm 1^\circ 30'$ | $\pm 3^\circ$ | |
| | 10~50 | | $\pm 0^\circ 30'$ | $\pm 1^\circ$ | $\pm 2^\circ$ | |
| | 50~120 | | $\pm 0^\circ 20'$ | $\pm 0^\circ 30'$ | $\pm 1^\circ$ | |
| | 120~400 | | $\pm 0^\circ 10'$ | $\pm 0^\circ 13'$ | $\pm 0^\circ 30'$ | |

| | | | | | |
|----------------------------|----------|-------------|-------------|------|------------|
| Nr. | DWG. NO. | TITLE/ NAME | MAT'L | QTY | REFERENCE |
| DSND BY | CHKD BY | CHKD BY | APRV BY | VIEW | DATE |
| S.H.KIM | J.H.PARK | | J.K.HAN | 3 | 2019.03.20 |
| TITLE | | | MODEL | | |
| QMCL125 OUTLINE DRAWING | | | QMCL125 | | |
| | | | DWG. NO. | | |
| | | | QMCL125_OUT | | |
| SCALE | SIZE | REV | SHEET | | |
| N/S | A4 | 00 | 1/1 | | |

1 2 3 4 5 6 A4(297X210)