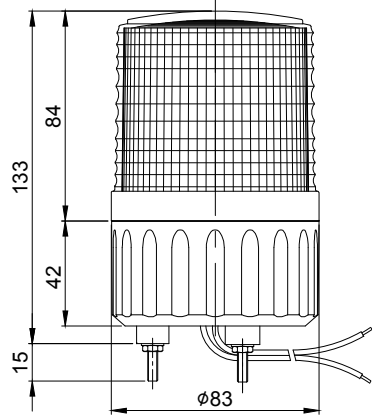


1 2 3 4 5 6

A

A

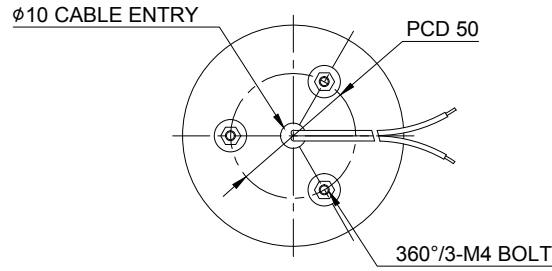


B

B

MARK	DATE	REVISION	REVISER	APP .BY
①				
②				
③				

MODEL NO		S80L			
MATERIAL		HOUSING-ABS			
		LENS-AS			
		REFLECTOR-HEAT RESISTING ABS			
COLOR OF LENS		RED( ), AMBER( ), GREEN( ), BLUE( )			
FLASHES PER MIN.		60 ~ 80			
USE VOLT.	LED	CURRENT	DC12V	0.08W	Max.0.125A
			DC24V		0.035A
			AC110V		0.020A
			AC220V		
VOLUME		MAX. 90dB at 1m			
PROTECTION GRADE		WATER & DUST PROOF IP44			
CABLE ENTRY		Ø10 LEAD HOLE			
COLOR OF HOUSING		MAKER STANDARD			
ACTION		LED STEADY/FLASHING LIGHT			



C

C

	ISO2768-1 : CLASS OF TOLERANCE					SURFACE FINISH
	f	m	Ⓢ	v		
FOR LINEAR DIMENSIONS	0.5~3	±0.05	±0.1	±0.2	-	
	3~6			±0.3	±0.5	
	6~30	±0.1	±0.2	±0.5	±1	
	30~120	±0.15	±0.3	±0.8	±1.5	
	120~400	±0.2	±0.5	±1.2	±2.5	
	400~1000	±0.3	±0.8	±2	±4	
FOR ANGULAR DIMENSIONS	0~10	±1°		±1°30'	±3°	
	10~50	±0°30'		±1°	±2°	
	50~120	±0°20'		±0°30'	±1°	
	120~400	±0°10'		±0°13'	±0°30'	

Nr.	DWG. NO.	TITLE/ NAME		MAT'L	QTY	REFERENCE
DSND BY	CHKD BY	CHKD BY	APRV BY	VIEW	DATE	
S.H.KIM	J.H.PARK		J.K.HAN	3	2019.03.20	
TITLE			MODEL			
S80L OUTLINE DRAWING			S80L			
			DWG. NO.			
			S80L_OUT			
SCALE	SIZE	REV	SHEET			
N/S	A4	00	1/1			

D

D

1 2 3 4 5 6

A4(297X210)