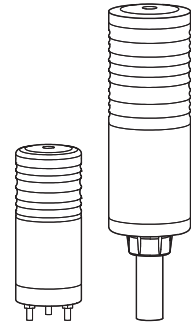
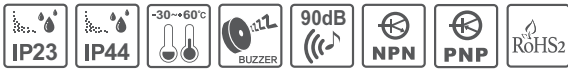


Multiple Color LED Steady/Flashing Tower Lights

STC45/ 56/ 80(M)L



Thank you for purchasing Qlight's products. Please read this user manual carefully prior to installation and operation to ensure safe and correct use.

⚠ Precautions for Safety

Failure to follow the instructions below may cause a loss of life or serious physical injury.

1. During wiring or maintenance, please completely turn off the power of the product. (Failure to follow this may lead to an electric shock.)
2. Do not install the product in locations that subjects it to excessive dust or water other than the conditions designated by the IP protection ratings indicated for each product. (Failure to follow these instructions may cause a fire to the product, electric shock, physical injury, malfunction or damage to the product.)
3. Do not alter or repair this product. If maintenance or repair service is required, please contact your local Qlight contact point. (Failure to follow these instructions may lead to fire, electric shock, or product damage.)
4. Please apply the correct voltage to the product. (Failure to follow these instructions may lead to fire, electric shock, or product damage.)
5. When the product is applied to a condition that may impact lives or property, please make sure to have a double safety device. (Failure to follow this may cause damage to property, fire, electric shock and loss of life.)

⚠ Precautions for Correct Use

Failure to follow the proper instructions may cause damage to property, the product, or malfunction of the product that would void the warranty.

1. Please remove any objects that can interrupt ventilation around the product.
2. Please turn off the power of the product immediately if it fails to operate properly.
3. Carefully wire the product according to each product's specification.
4. Please be careful in preventing chemicals such as thinner, benzene, etc. in contact with the surface of the product.
5. Do not apply excessive force/impact to the product.
6. Failure to follow any of the instructions above may cause malfunction or damage to the product, fire, and electric shock.

Ordering Specifications

STC45/ 56/ 80L	3	220	RAG	LW18
[Model number]	[Layers]	[Voltage]	[Color]	[Mounting option]
<ul style="list-style-type: none"> • STC45/ 56/ 80L • STC45/ 56/ 80L-BZ • STC45/ 56/ 80LF • STC45/ 56/ 80LF-BZ 	<ul style="list-style-type: none"> • 2-2 colors • 3-3 colors 	<ul style="list-style-type: none"> • 12-DC12V • 24-DC24V • 110-AC110V • 220-AC220V 	<ul style="list-style-type: none"> R-Red A-Amber G-Green 	<ul style="list-style-type: none"> • (Blank) - Standard type • Mounting type -LB18/24 -LW18/24 -QZ18/24 -SZ18/24 -QL18/24 -SL18/24 -QLA18/24

STC45/ 56/ 80ML	3	220	RAG
[Model number]	[Layers]	[Voltage]	[Color]
<ul style="list-style-type: none"> • STC45/ 56/ 80ML • STC45/ 56/ 80ML-BZ • STC45/ 56/ 80MLF • STC45/ 56/ 80MLF-BZ 	<ul style="list-style-type: none"> • 2-2 colors • 3-3 colors 	<ul style="list-style-type: none"> • 12-DC12V • 24-DC24V • 110-AC110V • 220-AC220V 	<ul style="list-style-type: none"> R-Red A-Amber G-Green



Please scan the QR code for more detailed product information.

www.qlight.com

Product Specifications

•STC45L

Model number	Layers	Voltage	Current	Certificate	Weight	Color
STC45L LED Steady	2	AC/DC12V	0.111A	CE	0.33kg	R-Red A-Amber
STC45L-BZ Built-in Buzzer LED Steady		AC/DC24V	0.100A			
STC45LF LED Steady/ Flashing	3	AC110V	0.028A		0.47kg	R-Red A-Amber G-Green
STC45LF-BZ Built-in Buzzer LED Steady/ Flashing		AC220V	0.014A			

※ CE compliant : DC24V

•STC45ML

Model number	Layers	Voltage	Current	Certificate	Weight	Color
STC45ML LED Steady	2	AC/DC12V	0.111A	CE	0.19kg	R-Red A-Amber
STC45ML-BZ Built-in Buzzer LED Steady		AC/DC24V	0.100A			
STC45MLF LED Steady/ Flashing	3	AC110V	0.028A		0.32kg	R-Red A-Amber G-Green
STC45MLF-BZ Built-in Buzzer LED Steady/ Flashing		AC220V	0.014A			

※ CE compliant : DC24V

•STC56L

Model number	Layers	Voltage	Current	Certificate	Weight	Color
STC56L LED Steady	2	AC/DC12V	0.277A	CE	0.43kg	R-Red A-Amber
STC56L-BZ Built-in Buzzer LED Steady		AC/DC24V	0.188A			
STC56LF LED Steady/ Flashing	3	AC110V	0.057A		0.62kg	R-Red A-Amber G-Green
STC56LF-BZ Built-in Buzzer LED Steady/ Flashing		AC220V	0.028A			

※ CE compliant : DC24V

•STC56ML

Model number	Layers	Voltage	Current	Certificate	Weight	Color
STC56ML LED Steady	2	AC/DC12V	0.277A	CE	0.29kg	R-Red A-Amber
STC56ML-BZ Built-in Buzzer LED Steady		AC/DC24V	0.188A			
STC56MLF LED Steady/ Flashing	3	AC110V	0.057A		0.49kg	R-Red A-Amber G-Green
STC56MLF-BZ Built-in Buzzer LED Steady/ Flashing		AC220V	0.028A			

※ CE compliant : DC24V

•STC80L

Model number	Layers	Voltage	Current	Certificate	Weight	Color
STC80L LED Steady	2	AC/DC12V	0.333A	CE	0.64kg	R-Red A-Amber
STC80L-BZ Built-in Buzzer LED Steady		AC/DC24V	0.277A			
STC80LF LED Steady/ Flashing	3	AC110V	0.073A		0.83kg	R-Red A-Amber G-Green
STC80LF-BZ Built-in Buzzer LED Steady/ Flashing		AC220V	0.036A			

※ CE compliant : DC24V

•STC80ML

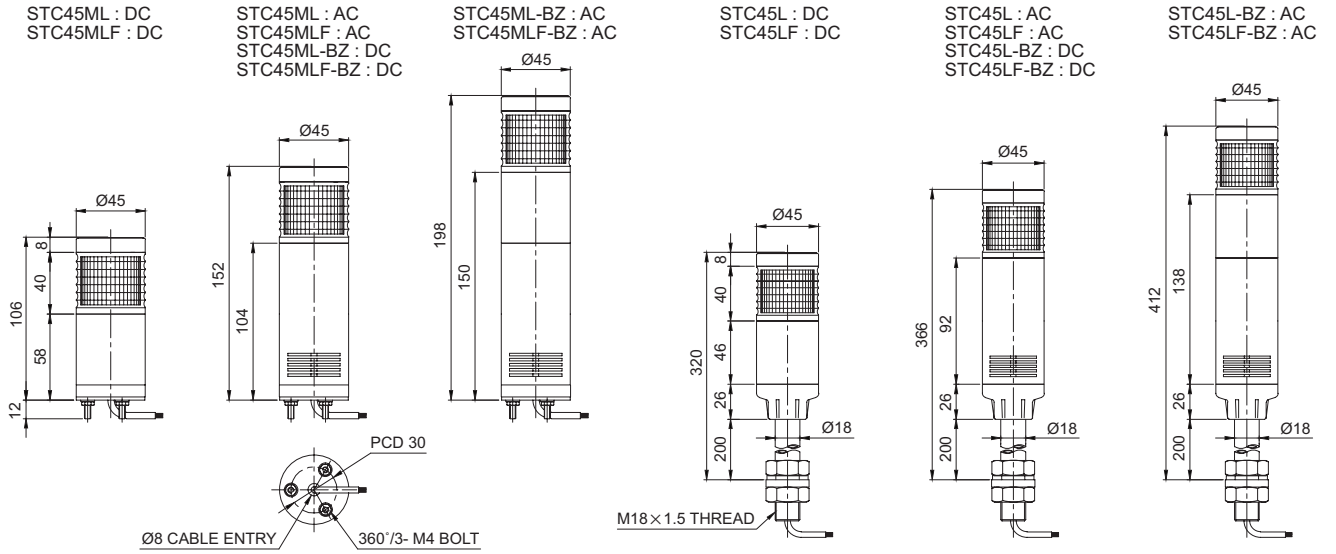
Model number	Layers	Voltage	Current	Certificate	Weight	Color
STC56ML LED Steady	2	AC/DC12V	0.333A	CE	0.40kg	R-Red A-Amber
STC56ML-BZ Built-in Buzzer LED Steady		AC/DC24V	0.277A			
STC56MLF LED Steady/ Flashing	3	AC110V	0.073A		0.60kg	R-Red A-Amber G-Green
STC56MLF-BZ Built-in Buzzer LED Steady/ Flashing		AC220V	0.036A			

※ CE compliant : DC24V

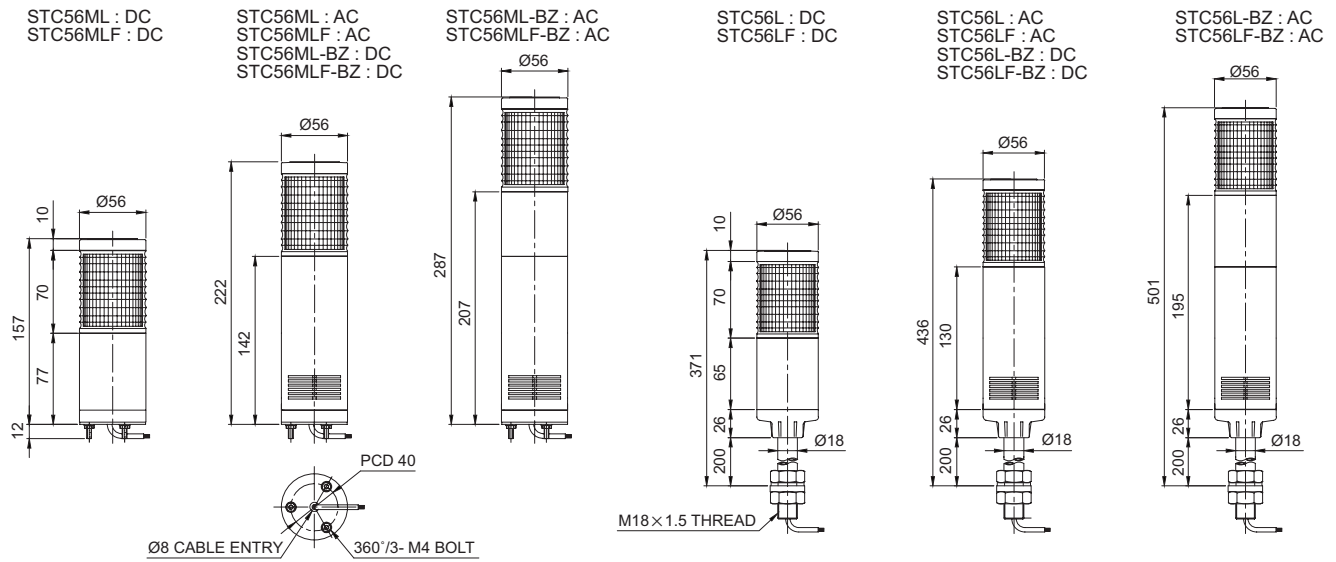
Dimensions

(Units : mm)

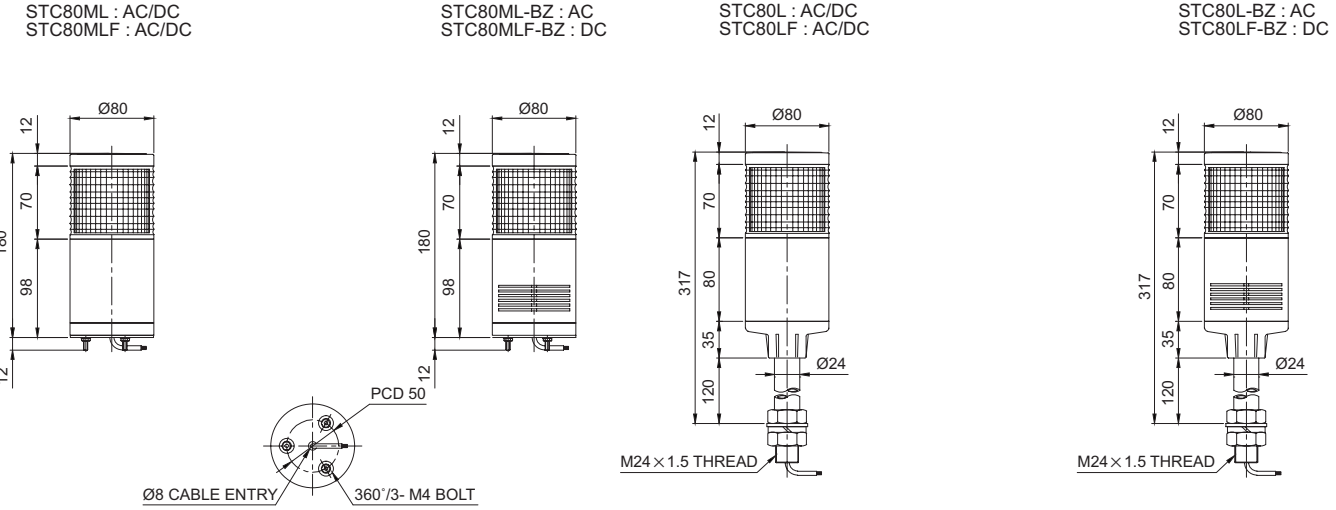
•STC45(M)L



•STC56(M)L



•STC80(M)L

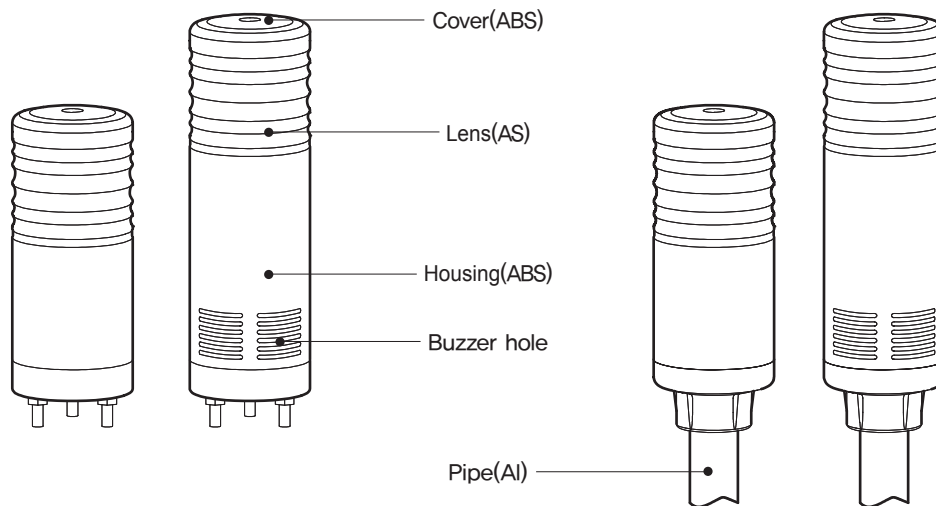


Wiring Instructions

- STC45/56/80(M)L can be wired by using both external contact and transistor.
- In case of wiring by transistor, please make sure if it is NPN type or PNP type. Please carefully follow wiring instruction below.
- These products can be wired regardless of polarity.

	External Contact	Transistor
DC Steady	<p>STC45ML/ STC45L-DC STC56ML/ STC56L/ STC56MEL/ STC56EL-DC</p>	<p>STC45ML/ STC45L-DC STC56ML/ STC56L/ STC56MEL/ STC56EL-DC</p>
DC Steady/ Flashing	<p>STC45MLF/ STC45LF-DC STC56MLF/ STC56LF/ STC56MELF/ STC56ELF-DC</p>	<p>STC45MLF/ STC45LF-DC STC56MLF/ STC56LF/ STC56MELF/ STC56ELF-DC</p>
AC Steady	<p>STC45ML/ STC45L-AC STC56ML/ STC56L/ STC56MEL/ STC56EL-AC</p>	<p>STC45MLF/ STC45LF-AC STC56MLF/ STC56LF/ STC56MELF/ STC56ELF-AC</p>
AC Steady/ Flashing	<p>STC45MLF/ STC45LF-AC STC56MLF/ STC56LF/ STC56MELF/ STC56ELF-AC</p>	<p>STC45MLF/ STC45LF-AC STC56MLF/ STC56LF/ STC56MELF/ STC56ELF-AC</p>

- DC steady type cable specification : External power/ signal line - UL1007 AWG22(0.3sq) 400mm
- AC steady, AC/DC steady/flashing type cable specification : External power line - UL1015 AWG18(0.75sq) × 2C 400mm
External signal line - UL1007 AWG22(0.3sq) 400mm



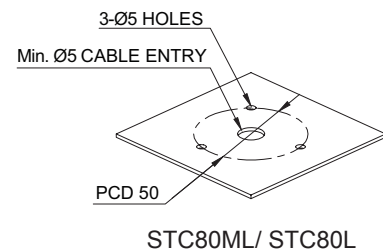
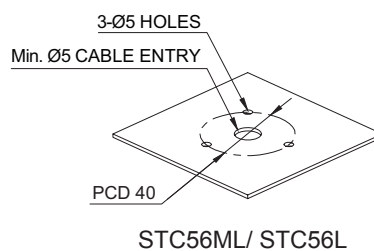
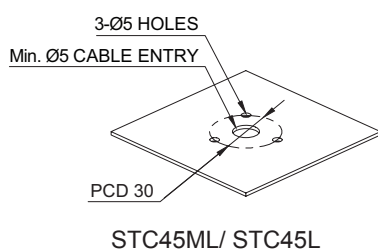
Installation Environment and Protection Rating

- This product is designed for indoor use with protection rating of IP44(standard type) or IP23(buzzer type).
- If the product is installed in locations that subject it to excessive dust or water other than the designated IP protection rating indicated, it may cause malfunction or damage to the product.
- For further information, please visit our website (www.qlight.com).

Mounting Hole Specifications

■ STC45ML/ STC56ML/ STC80ML - Direct Mounting Type Model

① Machine holes on the mounting surface referring to the diagram below.



- ② Remove the flange nuts from bolts and place the product through the mounting surface holes.
- ③ Fasten the flange nuts on the opposite side of the mounting surface until the product is tightened securely.

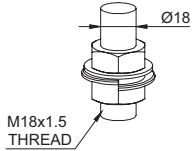
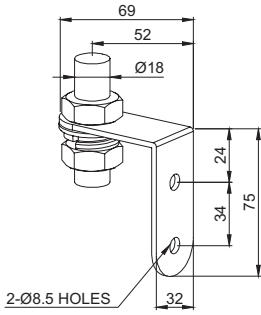
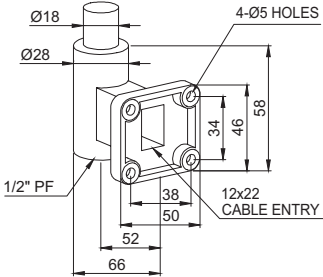
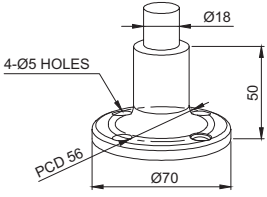
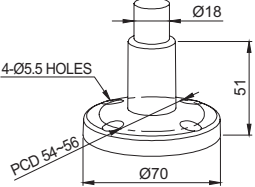
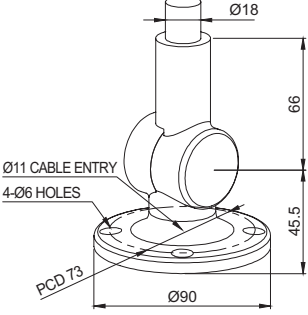
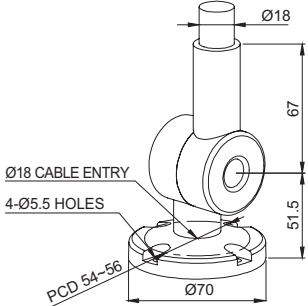
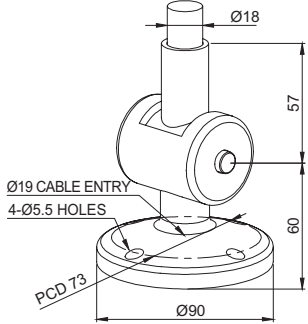
Mounting Accessories (Sold Separately)

• Please refer to the dimensions below for installation of mounting brackets

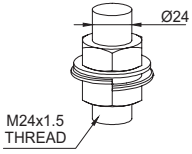
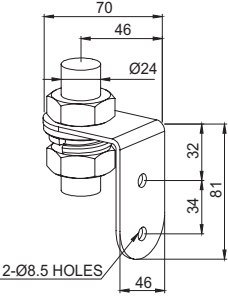
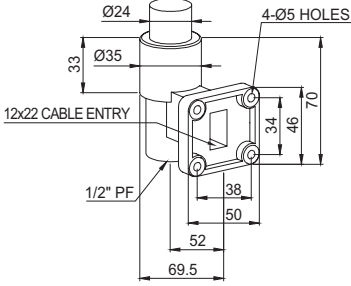
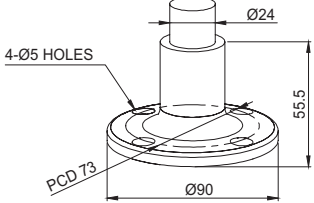
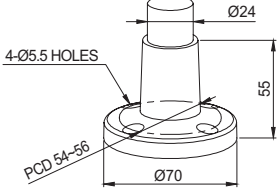
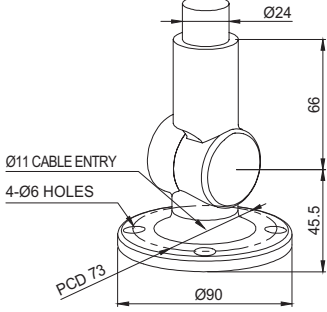
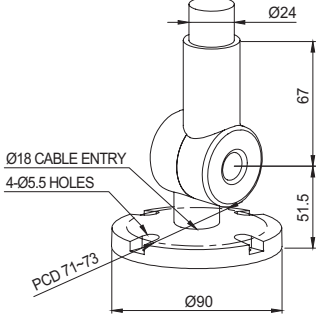
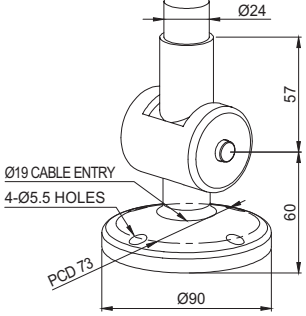
■ STC45ML/ STC56ML/ STC80ML- Direct Mounting Type Model

		Dimensions	
STC45ML STC56ML	<p> $\phi 12$ PCD30~40 360°/3- $\phi 5$ HOLES 4-$\phi 5$ HOLES $\phi 12$ CABLE ENTRY </p> <p>TWS45</p>	<p> PCD30~40 360°/3- $\phi 5$ HOLES 4-$\phi 5$ HOLES </p> <p>TWA45</p>	
	STC80ML	<p> $\phi 12$ PCD40~50 PCD40 360°/3- $\phi 5$ HOLES 4-$\phi 5$ HOLES $\phi 12$ CABLE ENTRY </p> <p>TWS80</p>	<p> PCD40~50 360°/3- $\phi 5$ HOLES 4-$\phi 5$ HOLES </p> <p>TWA80</p>

■ STC45L/ STC56L- Pole Mounting Type Model


Dimensions	
<p>STC45L STC56L</p>  <p style="text-align: center;">18mm SCREW & NUT</p>	 <p style="text-align: center;">LB18</p>
 <p style="text-align: center;">LW18</p>	 <p style="text-align: center;">SZ18</p>
 <p style="text-align: center;">QZ18</p>	 <p style="text-align: center;">SL18</p>
 <p style="text-align: center;">QL18</p>	 <p style="text-align: center;">QLA18</p>

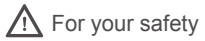
■ STC80L - Pole Mounting Type Model

		Dimensions	
STC80L	 <p>M24x1.5 THREAD</p> <p>Ø24</p>	 <p>70 46 Ø24 32 34 81 2-Ø8.5 HOLES 46</p>	<p>24mm SCREW & NUT</p> <p>LB24</p>
	 <p>Ø24 33 Ø35 12x22 CABLE ENTRY 1/2\" PF 4-Ø5 HOLES 70 34 46 38 50 52 69.5</p>	 <p>Ø24 4-Ø5 HOLES PCD 73 Ø90 55.5</p>	<p>LW24</p> <p>SZ24</p>
	 <p>Ø24 4-Ø5.5 HOLES PCD 54-56 Ø70 55</p>	 <p>Ø24 Ø11 CABLE ENTRY 4-Ø6 HOLES PCD 73 Ø90 45.5 66</p>	<p>QZ24</p> <p>SL24</p>
	 <p>Ø24 Ø18 CABLE ENTRY 4-Ø5.5 HOLES PCD 71-73 Ø90 51.5 67</p>	 <p>Ø24 Ø19 CABLE ENTRY 4-Ø5.5 HOLES PCD 73 Ø90 60 57</p>	<p>QL24</p> <p>QLA24</p>

Technical Certification

- Qlight products are designed to meet strict quality and technical standards. Thus, the Qlight brand is widely recognized for its high quality and technical innovations from leading institutions around the world.

 <p>ISO International Organization for Standardization</p> <p>Qlight quality assurance systems have been certified by ISO by applying the ISO 9001:2008, KS Q ISO 9001:2009 regulation.</p>	 <p>IECEX International Explosion Proof Certification (IECEX)</p> <p>Certified that Qlight's products are being manufactured and manage according to international standards.</p>
 <p>ATEX The European Regulatory Framework or Manufacture, Installation and Use of Equipment in Explosive Atmospheres</p> <p>Qlight's explosion proof products comply with ATEX Directives 94/9/EC.</p>	 <p>NEPSI National Supervision and Inspection Center for Explosion Protection and Safety of Instrumentation</p> <p>Qlight's design and manufacturing system meets the People's Republic of China National explosion proof Standard. (Chinese Standard-GB3836/GB12476)</p>
 <p>KCs Explosion Proof Device Safety Certification System</p> <p>The safety performance of machines and equipment subject to safety certification and Technical capability and production system have been certified safety certification standards.</p>	 <p>TIIS Japan Explosion-proof Certification</p> <p>TIIS is a Japanes explosion proof test and certification system accordance with the Ministry of Health, Labour and Welfare Notice and the explosion proof guidelines for factory electrical equipment. Qlight's explosion proof products hasve been tested and certified by TIIS.</p>
 <p>ABS American Bureau of Shipping</p> <p>Qlight's design and quality assurance system has been certified by the American Bureau of Shipping.</p>	 <p>RMRS Russian Maritime Register of Shipping</p> <p>Qlight's design and quality assurance system has been certified from Russian Maritime Register of Shipping.</p>
 <p>CCS China Classification Society</p> <p>Qlight's design and quality assurance system has been certified by the China Classification Society.</p>	 <p>KR Korean Register of Shipping</p> <p>Qlight's design and quality assurance system has been certified by the Korean Register of Shipping.</p>
 <p>LR Lloyd's Register</p> <p>Qlight's design and quality assurance system has been certified from Lloyd's Register.</p>	 <p>E-mark Commission Directive Regarding Vehicle Industry</p> <p>Qlight has obtained EU mark for approved vehicles and vehicle components sold into the EU(EEA : European Economic Area)</p>
 <p>KC Korea Safety Certification</p> <p>Qlight's products are certified by KC for preventing accident caused by fire.</p>	 <p>KCC Conformity Assessment of Broadcasting Communication Equipment</p> <p>Qlight has been certified to protect the electromagnetic environment that causes unwanted electromagnetic waves from the device, communication failure due to other devices or external radio waves, and malfunction of the device.</p>
 <p>CCC China Compulsory Certificate</p> <p>Qlight's has obtained CCC which guarantees safety, protection against fraud, environment, etc.</p>	 <p>CCCF China Certification Center for Security & Protection</p> <p>Qlight has passed the rigorous examination process of "Passing Fire Protection Products Centering" In order to sell fire-fighting products such as fire alarm equipment to Chinese market.</p>
 <p>UL Underwriters Laboratories</p> <p>Qlight's design and quality assurance system has been certified from UL to ensure the stability of consumption goods and to protect consumers.</p>	 <p>CE European Commission</p> <p>Qlight has been certified by the European Commission.</p>
 <p>ICAO International Civil Aviation Organization</p> <p>Qlight guarantees our products satisfy the criteria regulated by the International Civil Aviation Organization(ICAO, FAA).</p>	 <p>RoHS2 Restriction of Hazardous Substances Directive</p> <p>Qlight c omplies with the Restriction of Hazardous Substances Directive by limiting its use of hazardous materials.</p>



For your safety

Specification and dimensions listed in this catalogue subject to change without notice for product quality improvement.
The newest product information is available on our website.(www.qlight.com)
Please read the instruction manual attached to the product carefully before installation and use.

Qlight Co., Ltd. www.qlight.com | trade@qlight.com

Head Office | Suite #1510, STX-V Tower, 128 Gasan digital 1-ro, Geumcheon-gu, Seoul, Korea Tel. +82-80-328-2222 Fax : +82-2-2679-6154

Factory | 185-25, Mukbang-ro, Sangdong-myeon, Gimhae-si, Gyeongsangnamdo, Korea Tel. +82-80-328-1111

Qlight Overseas Sales Dept | 704 Nakdong-daero, Sasang-gu, Busan, Korea(Eomgung-Dong) Tel : +82-51-620-4100

Qlight Public Relations & Marketing Team Office | 704 Nakdong-daero, Sasang-gu, Busan, Korea(Eomgung-Dong) Tel : +82-51-245-0017

Qlight USA, Inc. www.qlight.com www.qlightusa.com | sales@qlightusa.com

3003 North First Street, Suite #341, San Jose, CA 95134 USA Tel. +1.408.519.5740 Fax. +1.408.519.5739

SHANGHAI Qlight Electronic Co., Ltd. www.qlight.com www.qlightcn.com | qlightcn@qlight.com

China Factory/ Shanghai Sales Office | #19, Nanda Road, Baoshan Area, Shanghai, China Tel. +86.21.6651.7100 Fax. +86.21.6315.3929

Qlight
Innovation in Alarm & Signal

Product Operation Inquiry / Customer Support +82-51-620-4100

You can expect prompt service if you have exact information such as model name, symptom, telephone number and address.

※ALL PRODUCT, PRODUCT SPECIFICATIONS AND DATA ARE SUBJECT TO CHANGE WITHOUT NOTICE TO IMPROVE RELIABILITY, FUNCTION OR DESIGN OR OTHERWISE.

Head office : Suite #1510, STX-V Tower, 128 Gasan digital 1-ro, Geumcheon-gu, Seoul, Korea (Postal Code : 08507)

Factory : 185-25, Mukbang-Ro, Sangdong-Myeon, Gimhae-Si, Gyeongsangnam-Do, Korea (Postal Code : 50805)

www.qlight.com

EN - STC45ML -1911A