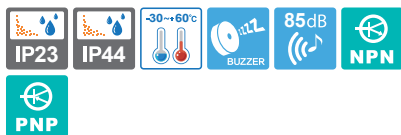


# QTA56L

## LED Steady Tower Lights



**QTA56L** LED Steady  
**QTA56L-BZ** Built-in Buzzer LED Steady



QT56HEX

Built-in buzzer output holes formed on the housing of the product.



### QTA56L LED Steady

- High brightness LED with hexagon type mounting pole
- Elegant design with hexagon shaped metal housing
- Aluminum housing provides excellent durability
- Folding type mount bracket can be utilized in various environments
- Built-in buzzer available (Volume : Max 85dB at 1m)
- Materials : Lens-PC, Housing-AI, Mounting bracket-AI
- Ambient operating temperature : -30°C to +60°C
- Protection rating : Standard type-IP44, Built-in buzzer type-IP23

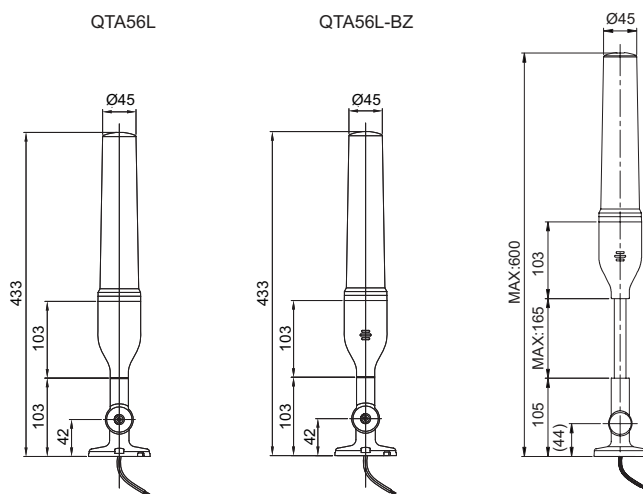
Model number	Layers	Voltage	Current	Certificates	Weight	Color
QTA56L Steady	3	DC24V	Max 0.125A	CE	0.71kg	<ul style="list-style-type: none"> <li>● R-Red</li> <li>● A-Amber</li> <li>● G-Green</li> </ul>
QTA56L-BZ Steady /w built-in buzzer			Max 0.155A		0.72kg	

#### Signal/ Audible line current(Per each layer)

Voltage		DC24V
Signal line current	0.042A	
Audible line current	0.029A	

### Technical Diagram

(Units : mm)



### Wiring Instructions

- External power line and signal line standard : UL1007 AWG22(0.3sq) 400mm
- ※ Please refer to page 260 for detailed wiring instructions.

### Customization

- Pole type

### Ordering Specification

<b>QTA56L</b>	-	<b>3</b>	-	<b>24</b>	-	<b>RAG</b>
[Model number]		[Layers]		[Voltage]		[Color]
• QTA56L • QTA56L-BZ		• 3-3 Layers		• 24-DC24V		<ul style="list-style-type: none"> <li>● R-Red</li> <li>● A-Amber</li> <li>● G-Green</li> </ul>



Warning/  
Signal/  
Stackable



Signal &  
Electric Horn/  
Speakers



Vessels and  
Heavy-Duty  
Equipment



Explosion  
Proof



Warning  
Light Bar



Aviation  
Obstruction  
Lights



Signal Tower  
Lights



USB/ETN  
Signal Tower  
Lights



Wireless  
Network  
System



Electric Horn/  
Speakers



Industrial  
LED Lights

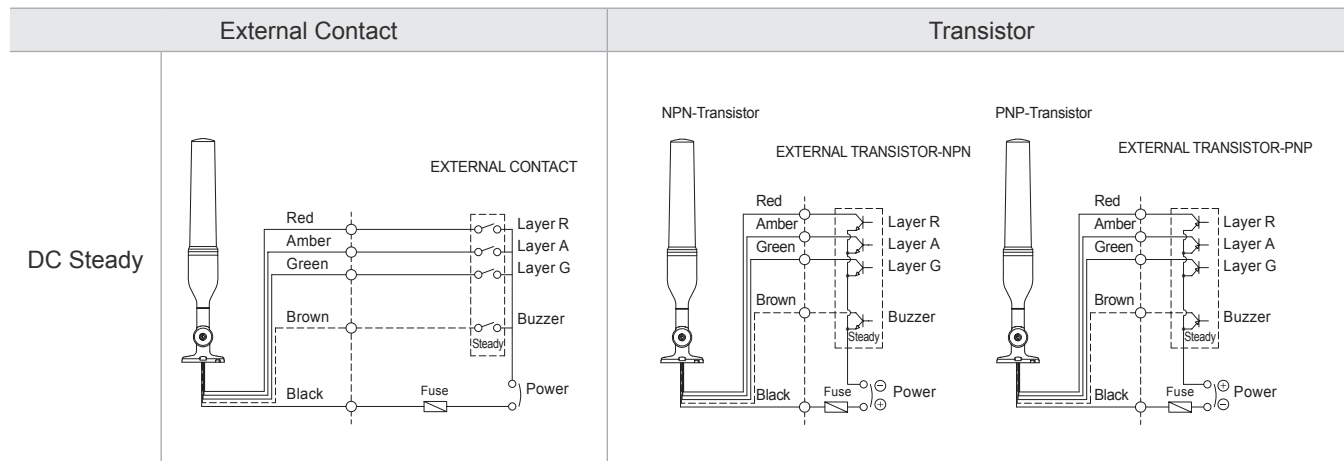
# QTA56L

## LED Steady Tower Lights



### Wiring Instructions

- QTA56L can be wired by using both external contact and transistor.
- In case of wiring by transistor, please make sure if it is NPN type or PNP type. Please carefully follow wiring instructions below.
- Product can be wired regardless of polarity.



- External power line and signal line standard : UL1007 AWG22(0.3sq) 400mm