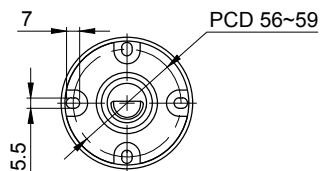
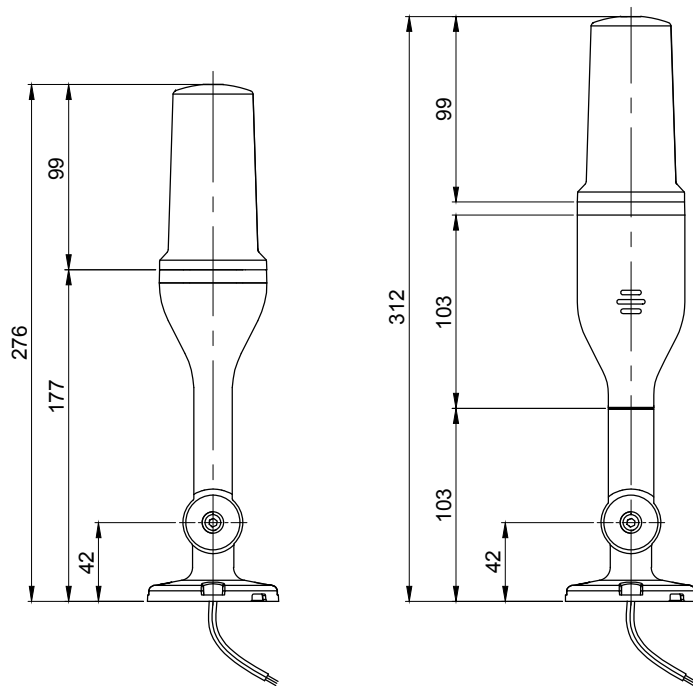


QT56MCL

QT56MCL-BZ



MARK	DATE	REVISION	REVISER	APP. BY
①				
②				
③				

MODEL NO		QT56MCL			
MATERIAL		HOUSING-AL			
		LENS-PC			
		BRACKET-AL			
COLOR OF LENS		7 COLORS			
USE VOLT.	LED	CURRENT	DC24V	0.2W	0.045A
VOLUME		MAX. 90dB at 1m (BUZZER TYPE)			
PROTECTION GRADE		WATER & DUST PROOF IP44			
		WATER & DUST PROOF IP23 (BUZZER TYPE)			
CABLE ENTRY		ø9 LEAD HOLE			
COLOR OF HOUSING		MAKER STANDARD			
ACTION		LED STEADY LIGHT			

	ISO2768-1 : CLASS OF TOLERANCE					SURFACE FINISH
	f	m	⊙	v		
FOR LINEAR DIMENSIONS	0.5~3	±0.05	±0.1	±0.2	-	
	3~6			±0.3	±0.5	
	6~30	±0.1	±0.2	±0.5	±1	
	30~120	±0.15	±0.3	±0.8	±1.5	
	120~400	±0.2	±0.5	±1.2	±2.5	
	400~1000	±0.3	±0.8	±2	±4	
FOR ANGULAR DIMENSIONS	0~10	±1°		±1°30'	±3°	
	10~50	±0°30'		±1°	±2°	
	50~120	±0°20'		±0°30'	±1°	
	120~400	±0°10'		±0°13'	±0°30'	

Nr.	DWG. NO.	TITLE/ NAME		MAT'L	QTY	REFERENCE
DSND BY	CHKD BY	CHKD BY	APRV BY	VIEW	DATE	
Y.C.KO	J.H.PARK		J.K.HAN	3	2019.03.20	
TITLE				MODEL		
QT56MCL OUTLINE DRAWING				QT56MCL		
				DWG. NO.		
				QT56MCL_OUT		
SCALE	SIZE	REV	SHEET			
N/S	A4	00	1/1			