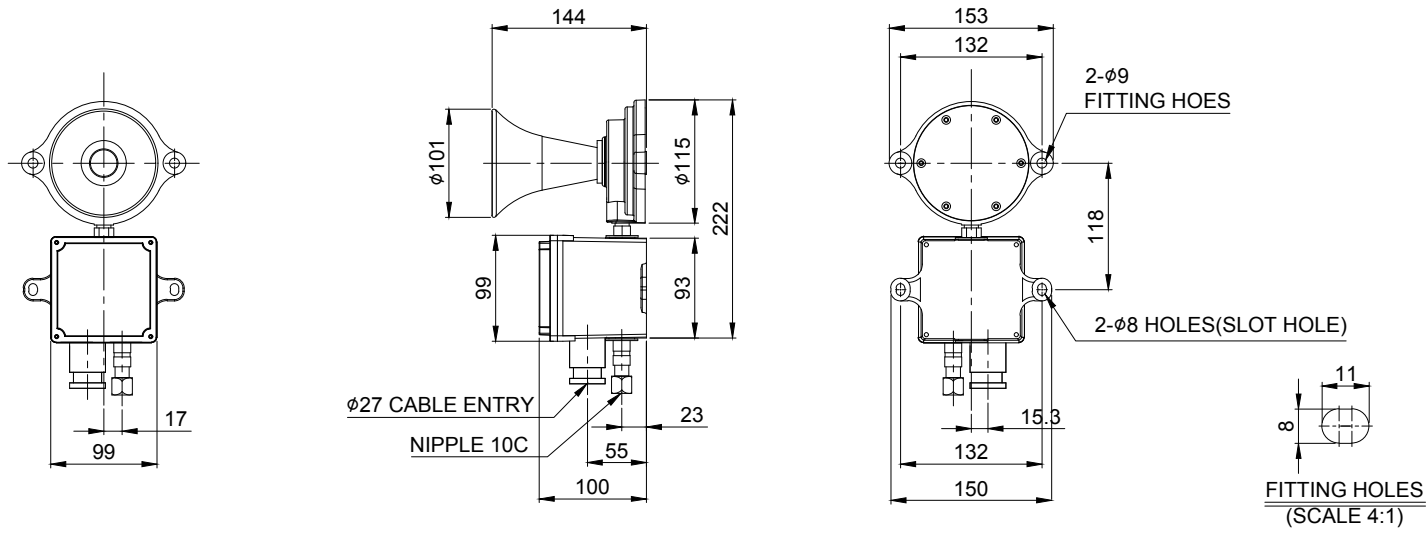


MARK	DATE	REVISION	REVISER	APP .BY
①				
②				
③				

MODEL NO		SANA700		
MATERIAL		HON HOUSING-PC SOLENOID VALVE BOX-ABS		
USE VOLT.	CURRENT	DC24V	0.448A	
		AC110V	0.111A	
		AC220V	0.055A	
VOLUME	MAX. 130dB at 1m			
PROTECTION GRADE	WATER & DUST PROOF IP56			
CABLE ENTRY	ø27 CABLE			
COLOR OF HOUSING	RED, BLACK, MUNSELL NO.75BG 7/2			
OPERATING AIR PRESSURE	5~7kg/cm ²			



FOR LINEAR DIMENSIONS	ISO2768-1 : CLASS OF TOLERANCE					SURFACE FINISH
	f	m	(C)	v		
0.5~3	±0.05	±0.1	±0.2	-		
3~6			±0.3	±0.5		
6~30	±0.1	±0.2	±0.5	±1		
30~120	±0.15	±0.3	±0.8	±1.5		
120~400	±0.2	±0.5	±1.2	±2.5		
400~1000	±0.3	±0.8	±2	±4		
FOR ANGULAR DIMENSIONS	0~10	±1°	±1°30'	±3°		
	10~50	±0°30'	±1°	±2°		
	50~120	±0°20'	±0°30'	±1°		
	120~400	±0°10'	±0°13'	±0°30'		

Nr.	DWG. NO.	TITLE/ NAME		MAT'L	QTY	REFERENCE
DSND BY	CHKD BY	CHKD BY	APRV BY	VIEW	DATE	
S.H.KIM	J.H.PARK		J.K.HAN	3	2019.03.20	
TITLE			MODEL			
SANA700 OUTLINE DRAWING			SANA700			
DWG. NO.			SANA700_OUT			
SCALE	SIZE	REV	SHEET			
N/S	A4	00	1/1			

