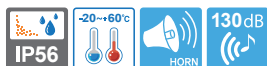


SANA series

Air Horns for Vessels and Heavy Industrial Applications



SANA200-200-300HZ
SANA400-400-600HZ
SANA700-700-800HZ



SANA200



SANA400

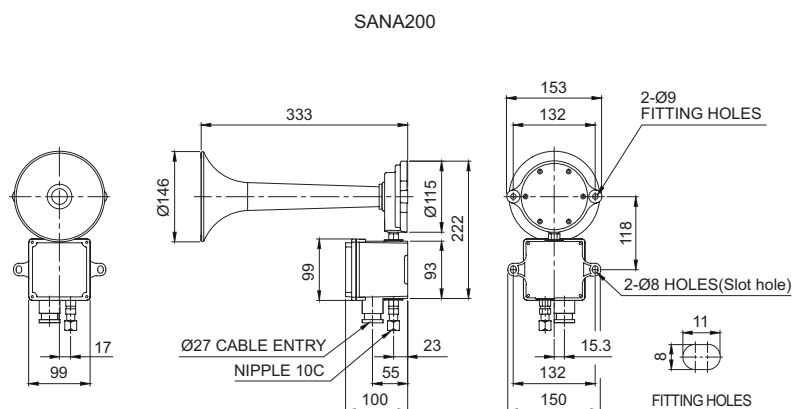
Common Specifications(SANA200/ SANA400/ SANA700)

- High volume horn uses compressed air to power the high pitched sound made with the diaphragm
- Uses a special material which consumes a small quantity of compressed air and has long durability
- Suitable for applications like a large and noisy engine rooms, a phone alarm in a pump room, or as an emergency alarm
- Sound volume : Max 130dB at 1m
- Housing standard color : ● R-Red, ● B-Black, ● 7.5BG-MUNSELL No.7.5BG 7/2
- Materials : Horn-PC, Solenoid valve box-ABS
- Air pressure : 5-7kg/cm²
- Ambient operation temperature : -20°C to +60°C
- Protection rating : IP 56
- Certificates : KIMM Compliant

Model number	Frequency	Volume	Certificates	Weight	Voltage	Current	Color
SANA200	200-300Hz	Max 130dB		1.19kg	DC24V	0.448A	● R-Red
SANA400	400-600Hz			1.13kg	AC110V	0.111A	● BK-Black
SANA700	700-800Hz			1.07kg	AC220V	0.055A	● 7.5BG

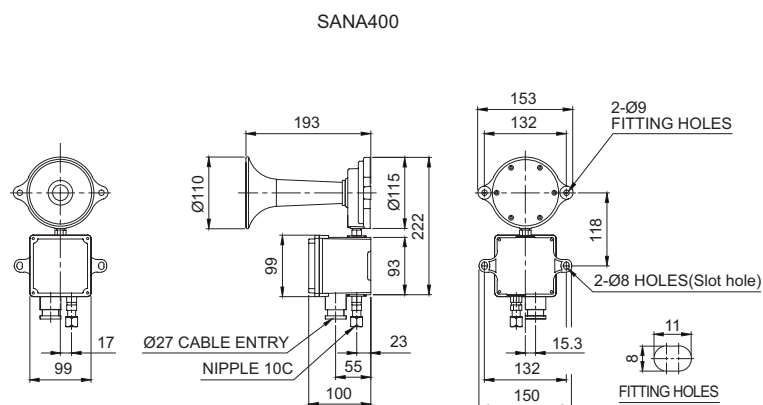
SANA200 200-300Hz

Technical Diagram (Units : mm)



SANA400 400-600Hz

Technical Diagram (Units : mm)



Warning/Signal/Stackable



Signal & Electric Horn/Speakers



Vessels and Heavy-Duty Equipment



Explosion Proof



Warning Light Bar



Aviation Obstruction Lights



Signal Tower Lights



USB/ETN Signal Tower Lights



Electric Horn/Speakers



Industrial LED Lights