

QWCD series

LED Strobe Signal Light and Electric Horn Combinations

A new concept of using the horn cover as a light globe

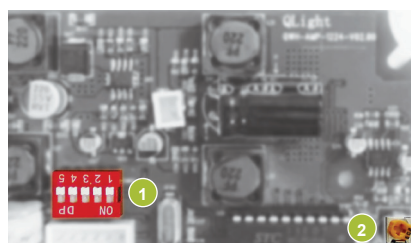


QWCD series is an integrated horn and light globe.

QWCD series	
QWCD35	Built-in standard sound
QWCD35T	
QWCD35SD	MP3(SD Card)
QWCD35TSD	
QWCD50	Built-in standard sound, large output sound
QWCD50T	
QWCD50SD	SD Card(MP3), Large output sound
QWCD50TSD	

- By using the horn cover as a light globe, the size of the product has been reduced significantly
- The color of light can be selected from red, yellow, green, or blue
- Product has two models : the basic model with 31 built-in sounds, and an external sound (MP3) type model
- Includes seven different playback functions; one function is the continuous playback function which provides constant message notification
- There are 31 built-in sounds that can be played in various environments, and supports a Binary input method
- You can save and play up to 31 mp3 files using a external SD Card
- Can easily set up the sounds using a PC
- By making the horn cover with polycarbonate (PC) material, The product has excellent durability and weather resistance
- Can be used for heavy-duty, ship, or outdoor use which requires waterproof, dustproof structure (IP66)

Built-in sound type



- 1 Sound selection switch
- 2 Volume

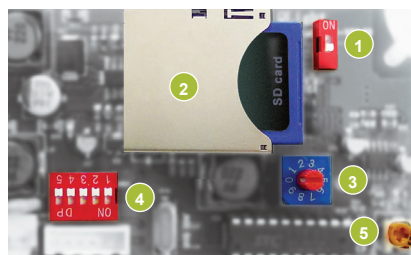
The input method of built-in sound type

	1	2	3	4	5
No.	1	2	3	4	5
0	0	0	0	0	0
1	0	0	0	0	1
2	0	0	0	1	0
:	:	:	:	:	:
31	1	1	1	1	1

Built-in sound type model supports Binary input mode which provides a selection of 31 different input combinations for five kinds of sounds.

You can only select 2 numbers with 1 switch; "0", "1". With 5 switches you can have 31 combinations. Selecting one sound from 5 switches is the Binary input method.

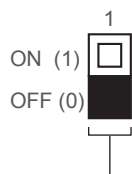
SD Card(MP3) type



- 1 Sound setting switch
- 2 MP3 playable SD Card
- 3 Play mode setting switch
- 4 Sound select switch
- 5 Volume

The sound selection method of SD Card type

Can easily select built-in sound or external sound(MP3) by using the sound selection switch.

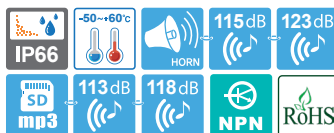


The sound selection
 0 : Select built-in sound
 1 : Select SD Card

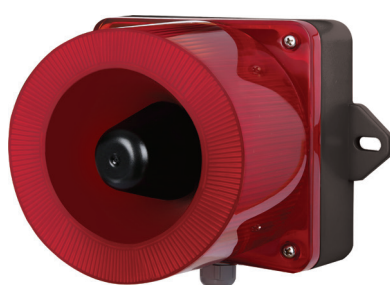
- 31 built-in special warning sounds
- Supports SD Card (MP3)
- Binary Input : 31Ch
- Bit Input : 5Ch (SD Card only)
- A multifunctional product that can play MP3 files using an SD Card
- Please refer to page 138 for detailed settings
- Built-in sound is set to #1 as default

QWCD series

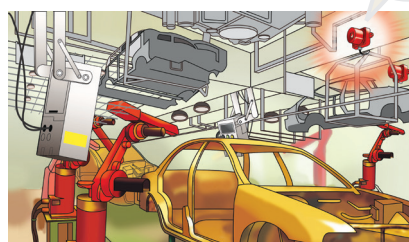
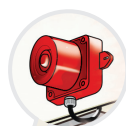
LED Strobe Signal Light and Electric Horn Combinations



- Qlight's exclusive innovative design - the horn cover emits light!
- Combination of 31 sound options built in and SD Card(MP3) option



QWCD35 series



QWCD35 model applied in an automobile production plant environment.

Common Specifications (QWCD35(SD)/ QWCD35T(SD)/ QWCD50(SD)/ QWCD50T(SD))

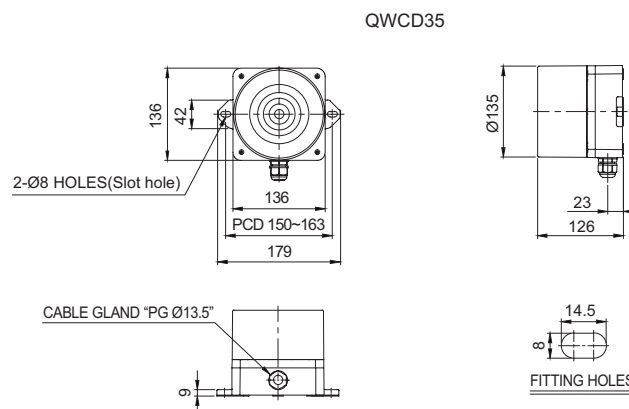
- Easy device customization with built in sound selection function, volume adjustment function and an SD Card slot for user inputted tones
- 31 available tones that can be selected for a variety of environments
- The user can select their own tones by inputting the MP3 file directly into the SD Card
- 31 pre-recorded tones available via binary input
- Suitable for use in environments that require a tight seal and superior dust protection rated IP66
- Easy wiring though external terminal box (QWCD35T, QWCD35TSD, QWCD50T, QWCD50TSD)
- Flashing rate : 60-80 flashes/min(steady/flashing mode selection available in built in switch)
- Materials : Horn-PC, Body-PC+ABS
- Ambient operating temperature : -50°C to +60°C(Standard type)
-20°C to +50°C(SD Card type)
- Protection Rating : IP66
- Certificates : CE Compliant, UL Listed
- Compliant with RoHS directive

QWCD35 LED Strobe Signal Light and Electric Horn Combination

Model number	Voltage	Current	Sound Pattern and Volume	Certificates	Weight	Color
QWCD35 Built-in standard sound	DC12V-24V	Max. 1.300A	<ul style="list-style-type: none"> • Bit Input : 5Ch (SD Card) • Binary Input : 31Ch • Warning Sounds: 115dB • MP3 Messages : 113dB 		1.10kg	<ul style="list-style-type: none"> • R-Red • A-Amber • G-Green • B-Blue
	AC110V-220V	Max. 0.350A				
QWCD35SD MP3	DC12V-24V	Max. 1.200A			1.15kg	
	AC110V-220V	Max. 0.310A				

※ DC type model has a free-voltage range of 10V-30V.
 ※ AC type model has a free-voltage range of 100V-240V.

Technical Diagram (Units : mm)



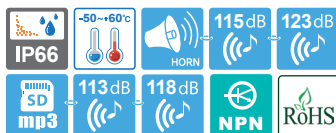
QWCD50 LED Strobe Light and Electric Horn Combination

Model number	Voltage	Current	Sound Pattern and Volume	Certificates	Weight	Color
QWCD50 Built-in standard sound	DC12V-24V	Max. 4.700A	<ul style="list-style-type: none"> • Bit Input : 5Ch (SD Card) • Binary Input : 31Ch • Warning Sounds: 123dB • MP3 Messages : 118dB 		2.7kg	<ul style="list-style-type: none"> • R-Red • A-Amber • G-Green • B-Blue
	AC110V-220V	Max. 0.800A				
QWCD50SD MP3	DC12V-24V	Max. 3.300A			3.0kg	
	AC110V-220V	Max. 0.650A				

※ DC type model has a free-voltage range of 10V-30V.
 ※ AC type model has a free-voltage range of 100V-240V.

QWCD series

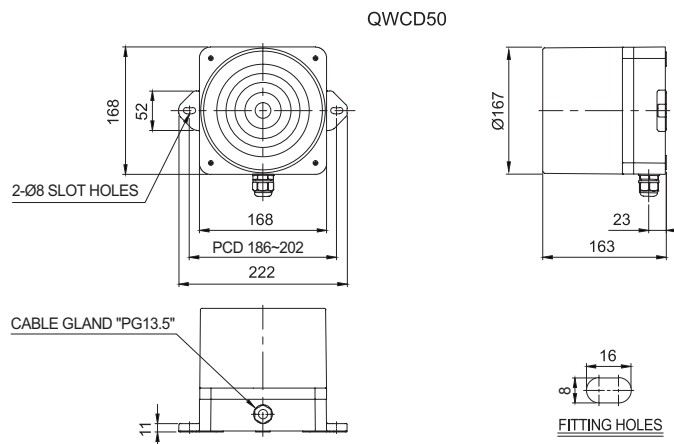
LED Strobe Signal Light and Electric Horn Combinations



QWCD50 series

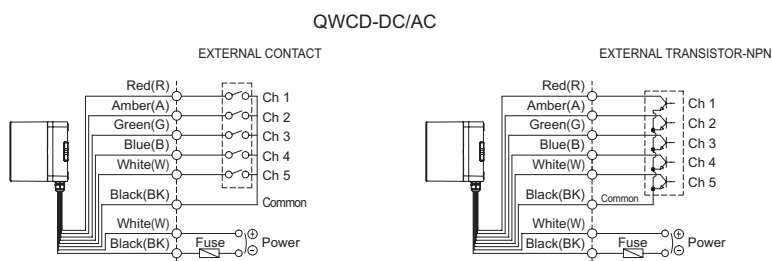
Technical Diagram

(Units : mm)



Wiring Instructions

- Standard specification : Use internal switches
- Customization : Use external contact



- Wiring to external contact and transistor
- Wiring to transistor, use the NPN transistor
- Power line standard UL1015 AWG18(0.75sq)×2C 400mm
- Signal line standard UL1007 AWG22(0.3sq) 400mm
- DC type : Black output line is negative(-)
- Channel selection : Bit input, 5 sound tones for each group
- Binary input 31 sound tones output

* Please refer to Page 102 for set of channel input.
(If wiring is changed by channel selection switch)

Customization

- External sound selection line(Model number : -LC)

Ordering Specification

QWCD50	-	110/220	-	R	-	LC
[Model number]		[Voltage]		[Color]		[sound selection]
• QWCD35 • QWCD35SD • QWCD50 • QWCD50SD		• 12/24 • -DC12V-24V • 110/220 • -AC110V-220V		• R-Red • A-Amber • G-Green • B-Blue		• (Blank) • -Standard type • LC Type • -Uses external contact