

QAD series

Signal/ LED Warning Lights with High Volume Built-in Buzzer

Wall Mount Dome Type Signal Light with Electrical Horn

Siren Buzzer 105dB, Electric Horn 100-115dB

- 6 Bit input, 5 sound tones for each group
- Binary input 30 sound tones output
- SD Card(MP3) support



Sound Tone Selection & Volume Control

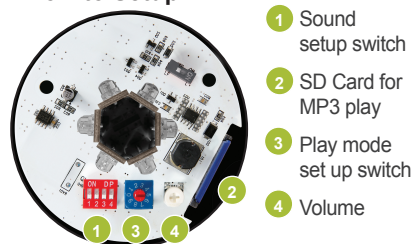
QAD series are the combination of dome type signal lights and electric horn that allow sound tone selection and volume control through a built-in control panel. (Buzzer type is unsupported)

QAD series (external sound product) can the support MP3 format through SD Card. (QAD100H/ QAD125H)

Multi-functional Product

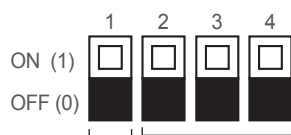
* Buzzer type is unsupported

How to Setup



Sound Setup Switch

Built-in sound and user-defined sound is toggled by using the sound setup switch '1'.



Group Choice in Bit Input Mode

- 001 : WS (5 Warning sounds)
- 010 : WP (5 special warning sounds 1st group)
- 011 : WM (5 Melodies)
- 100 : WA (5 Alarms)
- 101 : WO (5 special warning sounds 2nd group)
- 110 : WN (5 special warning sounds 3rd group)

Sound Selection

- 0 : Built-in sound
- 1 : SD Card(MP3)

- Built-in sounds(5WS, 5WP, 5WM, 5WA, 5WO and 5WN)
- Support SD Card(MP3)
- Binary Input : 30Ch
- Bit input : 5Ch(6 groups)
- Support MP3 format through SD Card
- Detailed instructions for multi-functional products are shown on page 140



Common Specifications(QAD80/ QAD100/ QAD125)

- Combination of warning light and horn allow for both visual and audible signal transmission at once
- Flashing rate : 60-80 flashes/min(Built-in Steady-Flash selection switch)
- Appropriate sound tones can be chosen depending on the various working environment among various available sound tones
- Sound tone selector and volume controller in front of the device allows for convenient use (Buzzer type is unsupported)
- SD Card type allows user defined sound tone
- Built-in 30 sound tones, Support Binary and Bit input modes
- Bit input mode consists of 5 sound types with 6 groups. Choose one of the groups to play 5 sounds.(MP3 does not support group)
- MP3 support(QAD100H/ QAD125H)
- Materials : Lens - PC, Housing - ABS
- Ambient operating temperature : -30°C to +50°C
- Protection rating : IP65
- Compliant with RoHS directive

30 Built-in sounds

Multi-functional product has built-in 30 sound tones

Sound	Category	Ch	Sound Tone	Sound	Category	Ch	Sound Tone
WS	5 warning sounds	Ch1	Fire.A-ANG	WA	5 alarms	Ch1	Beep Intermittent
		Ch2	Emergency WA-U(Yelp)			Ch2	Door Chime
		Ch3	Ambulance PI-PO(Hi-low)			Ch3	Phone Ring
		Ch4	Machinery Fault			Ch4	PI.PI.PI Short
		Ch5	High Expansion			Ch5	Tripping Beat
WP	5 special warning sounds (1 st group)	Ch1	Fire.A-ANG	WO	5 special warning sounds (2 nd group)	Ch1	Rel rel rel
		Ch2	Abandon Alarm			Ch2	Slow Ambulance PI-PO
		Ch3	Machinery Fault			Ch3	Wye yong Wye yong
		Ch4	High Expansion			Ch4	Phone ring 2
		Ch5	7 Short Pl. / 1 Long			Ch5	Fire.A-ANG
WM	5 melodies	Ch1	Sweet Home	WN	5 special warning sounds (3 rd group)	Ch1	Oit Oit
		Ch2	For Elise			Ch2	Pi o Pi o
		Ch3	Cuckoo's Waltz			Ch3	Slow Di o Di o
		Ch4	Piano Sonata			Ch4	Li long Li ling
		Ch5	Turkish March			Ch5	911 Siren

User-defined sound (MP3)

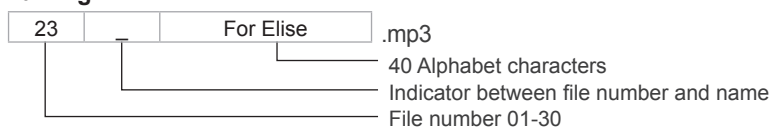
User-defined sound(MP3) type



Customer can create a playlist and grouping conveniently through PC. Product supports up to 32Gbyte. SD Card is an optional item.

*SD Card needs to be purchased.

MP3 file naming



QAD series

Signal/ LED Warning Lights with High Volume Built-in Buzzer



- 6 Bit input, 5 sound tones for each group
- Binary input 30 sound tones output SD Card(MP3) support



QAD100 series



QAD series buzzer and electric sound is rich and clear because the RESONANCE CHAMBER amplifies the sound.

⚠ Do not supply power into the signal line. Product may be damaged as a result

- Once powering on, signal light will work. However, the speaker will require additional wiring.

QAD100H Wall Mount Type LED Steady/ Flash & Electric Horn

- Built-in sound/ MP3

Model number	Voltage	Current	Sound Pattern and Volume	Certificates	Weight	Color
QAD100H	DC12V-24V	Max 1.020A	• Bit Input : 5Ch • Binary Input : 30Ch • Warning : Max 100dB • MP3 : Max 95dB	CE	0.92kg	• R-Red • A-Amber • G-Green • B-Blue
	AC110V-220V	Max 0.210A			0.94kg	

※ DC type model has a free-voltage range of 10V-30V.
 ※ AC type model has a free-voltage range of 100V-240V.

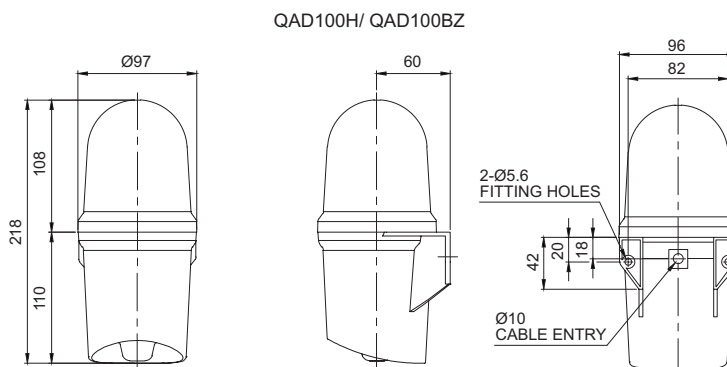
QAD100BZ Wall Mount Type LED Steady/ Flash & Strong Buzzer

- Built-in strong buzzer

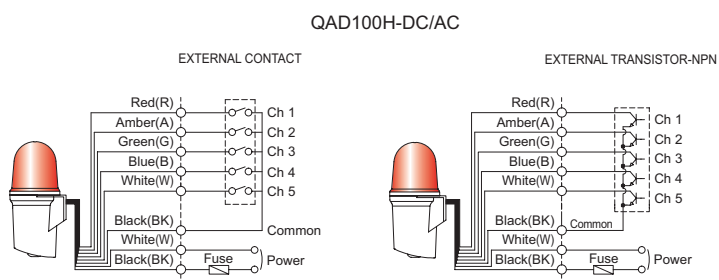
Model number	Voltage	Current	Sound Pattern and Volume	Certificates	Weight	Color	
QAD100BZ	DC12V	0.460A	• Buzzer Volume : Max 105dB	CE UL	0.98kg	• R-Red • A-Amber • G-Green • B-Blue	
	DC24V	0.290A					
	AC110V-220V	Max 0.145A				1.01kg	

※ AC type model has a free-voltage range of 100V-240V.

Technical Diagram (Units : mm)



Wiring Instructions



- External power line standard, UL1015 AWG18(0.75sq)×2C 400mm
- Signal line standard, UL1007 AWG22(0.3sq) 400mm
- Product can be wired regardless of polarity
- In case of 6 Bits input, 5 sound tones can be played. For Binary input, 30 sound tones can be played

※ Detailed instructions for multi-functional products are shown on page 140. (Wiring Instructions substitutes for channel selection switch)

Ordering Specification

QAD100H	-	110/220	-	R
[Model number]		[Voltage]		[Color]
• QAD100H • QAD125H		• 12/24-DC12V-24V • 110/220-AC110V-220V		• R-Red • A-Amber • G-Green • B-Blue