

1 2 3 4 5 6

A

A

B

B

C

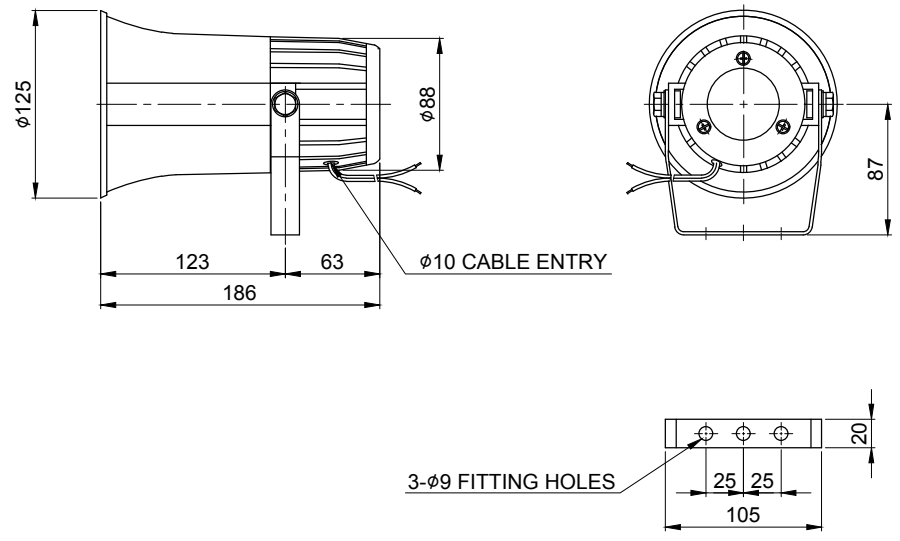
C

D

D

MARK	DATE	REVISION	REVISER	APP .BY
①				
②				
③				

MODEL NO		SRN		
MATERIAL		HOUSING-ABS		
USE VOLT.	CURRENT	DC12V	MAX. 0.320A	
		DC24V		
		AC110V	0.075A	
		AC220V	0.035A	
VOLUME		MAX. 108dB		
PROTECTION GRADE		WATER & DUST PROOF IP55		
CABLE ENTRY		φ10 LEAD HOLE		
COLOR OF HOUSING		RED		



FOR LINEAR DIMENSIONS	ISO2768-1 : CLASS OF TOLERANCE					SURFACE FINISH
	f	m	(C)	v		
0.5~3	±0.05	±0.1	±0.2	-		
3~6			±0.3	±0.5		
6~30	±0.1	±0.2	±0.5	±1		
30~120	±0.15	±0.3	±0.8	±1.5		
120~400	±0.2	±0.5	±1.2	±2.5		
400~1000	±0.3	±0.8	±2	±4		
FOR ANGULAR DIMENSIONS	0~10	±1°	±1°30'	±3°		
	10~50	±0°30'	±1°	±2°		
	50~120	±0°20'	±0°30'	±1°		
	120~400	±0°10'	±0°13'	±0°30'		

Nr.	DWG. NO.	TITLE/ NAME		MAT'L	QTY	REFERENCE
DSND BY	CHKD BY	CHKD BY	APRV BY	VIEW	DATE	
S.H.KIM	J.H.PARK		J.K.HAN	3	2019.03.20	
TITLE			MODEL	SRN		
SRN OUTLINE DRAWING			DWG. NO.	SRN_OUT		
SCALE		SIZE	REV	SHEET		
N/S		A4	00	1/1		

1 2 3 4 5 6

A4(297X210)