

# SN/ SEHN25

Electric Horns for Vessels and Heavy Industrial Applications



## Steel Housing

105dB



SN

115dB



SEHN25



### Common Specifications(SN/ SEHN25/ SEHN50)

- Steel housing provides excellent vibration and shock resistance under seismic conditions
- A variety of sound selections between warning sounds, alarm sounds, melodies and voice messages to fit your sophisticated application needs
- Can adjust sound volume with the switch built inside the unit
- Materials : Housing-Steel, Horn housing -Steel
- Housing standard color : Red
- Ambient operating temperature : -25°C to +50°C
- Protection rating : IP55, Suitable for outdoor installation
- Certificates : KIMM Compliant

### SN Max 105dB, Self Stand Type

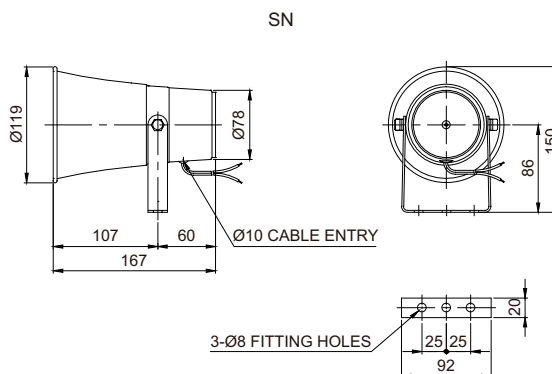
Model number	Sound pattern	Volume	Voltage / Current	Certificates	Weight
SN	WS 5 Warning sounds	105dB	DC12V / 0.266A		DC-0.91kg AC-1.06kg
	WM 5 Melodies	105dB	DC24V / 0.211A		
	WA 5 Alarms	103dB	AC110V / 0.062A		
	WV 5 Customizable sounds	95dB	AC220V / 0.031A		

\* Please refer to page 22 for detailed information about selectable sound patterns.



### Technical Diagram

(Units : mm)



### SEHN25 Max 115dB, Self Stand Type

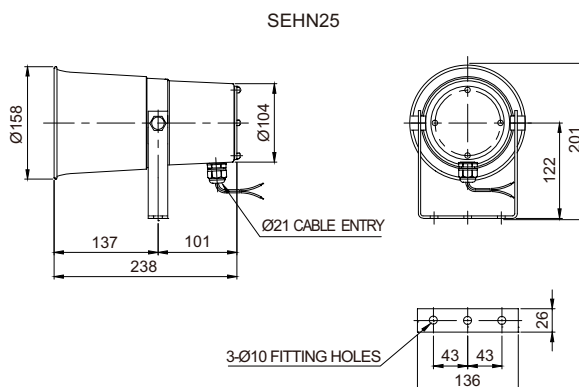
Model number	Sound pattern	Volume	Voltage / Current	Certificates	Weight
SEHN25	WS 5 Warning sounds	115dB	DC12V / 2.211A		DC-2.26kg AC-2.48kg
	WM 5 Melodies	115dB	DC24V / 1.022A		
	WA 5 Alarms	113dB	AC110V / 0.226A		
	WV 5 Customizable sounds	108dB	AC220V / 0.113A		

\* Please refer to page 22 for detailed information about selectable sound patterns.



### Technical Diagram

(Units : mm)



Warning/Signal/Stackable



Signal & Electric Horn/ Speakers



Vessels and Heavy-Duty Equipment



Explosion Proof



Warning Light Bar



Aviation Obstruction Lights



Signal Tower Lights



USB/ETN Signal Tower Lights



Electric Horn/ Speakers



Industrial LED Lights

# SEHN50

Electric Horns for Vessels and Heavy Industrial Applications



## Steel Housing

120dB



SEHN50

## SEHN50 Max 120dB, Self Stand Type

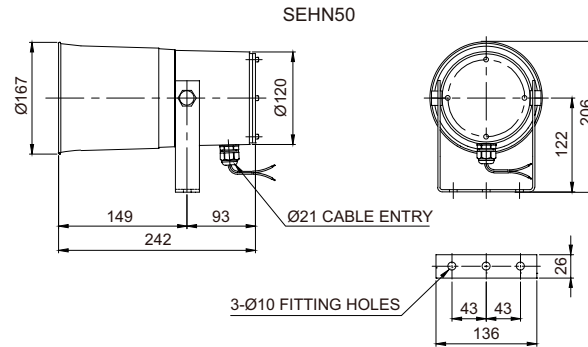
Model number	Sound pattern	Volume	Voltage / Current	Certificates	Weight
SEHN50	WS 5 Warning sounds	120dB	DC12V / 2.440A		DC-2.67kg AC-3.30kg
	WM 5 Melodies	120dB	DC24V / 1.186A		
	WA 5 Alarms	118dB	AC110V / 0.244A		
	WV 5 Customizable sounds	115dB	AC220V / 0.122A		

※ Please refer to page 22 for detailed information about selectable sound patterns.



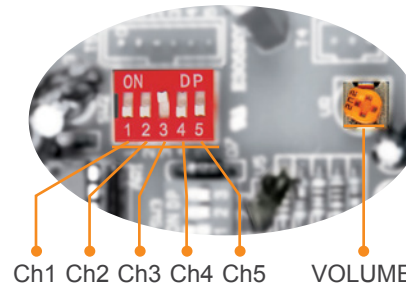
### Technical Diagram

(Units : mm)



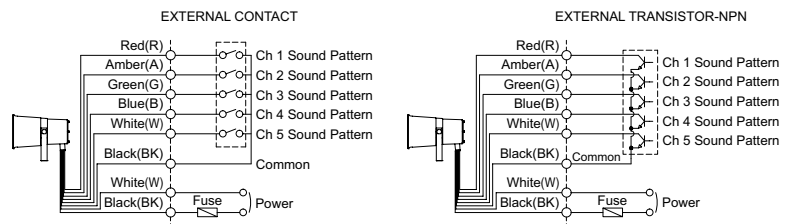
### Sound Selection and Wiring Instructions

- Standard : Internal switch
- When each channel dip switch is on, a related sound will be played



- Customization : External contact(LC)

SN/ SEHN25/ SEHN50-DC/AC



### Customization

- You can select the audible sound pattern using external contacts or transistor with a customized external sound line. (Model number : -LC)

- External power line standard : VCTF(0.75sq)×2C 400mm
- LC type signal line standard : UL1007 AWG22(0.3sq) 400mm
- Product can be wired regardless of polarity



### Ordering Specification

SEHN25	-	WA	-	220	-	LC
[Model number]		[Sound]		[Voltage]		[Sound selection]
<ul style="list-style-type: none"> <li>• SN</li> <li>• SEHN25</li> <li>• SEHN50</li> </ul>		<ul style="list-style-type: none"> <li>• WS-Warning</li> <li>• WM-Melody</li> <li>• WA-Alarm</li> <li>• WV-Customizable sound</li> </ul>		<ul style="list-style-type: none"> <li>• 12-DC12V</li> <li>• 24-DC24V</li> <li>• 110-AC110V</li> <li>• 220-AC220V</li> </ul>		<ul style="list-style-type: none"> <li>• Standard</li> <li>• -Built-in switch</li> <li>• LC</li> <li>• -External contact</li> </ul>