

1 2 3 4 5 6

A

A

B

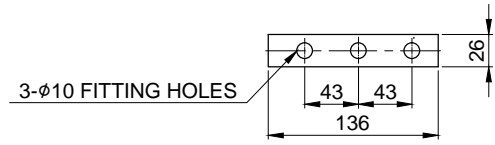
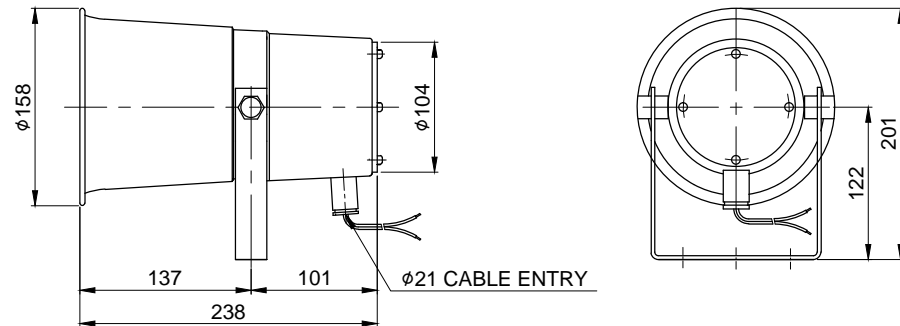
B

C

C

D

D



MARK	DATE	REVISION	REVISER	APP .BY
①				
②				
③				

MODEL NO		SEHN25		
MATERIAL		HOUSING-STEEL		
		HORN HOUSING-STEEL		
USE VOLT.	CURRENT	DC12V	MAX. 2.211A	
		DC24V	MAX. 1.022A	
		AC110V	MAX. 0.226A	
		AC220V	MAX. 0.113A	
KIND OF SOUND		WS	5 Warning Sounds	
		WM	5 Melodies	
		WA	5 Alarms	
		WV	5 Customizable sounds	
VOLUME		MAX. 115dB		
PROTECTION GRADE		WATER & DUST PROOF IP55		
CABLE ENTRY		ø21 LEAD HOLE		
COLOR OF HOUSING		RED		

	ISO2768-1 : CLASS OF TOLERANCE					SURFACE FINISH
	f	m	Ⓢ	v		
FOR LINEAR DIMENSIONS	0.5-3	±0.05	±0.1	±0.2	-	
	3-6			±0.3	±0.5	
	6-30	±0.1	±0.2	±0.5	±1	
	30-120	±0.15	±0.3	±0.8	±1.5	
	120-400	±0.2	±0.5	±1.2	±2.5	
400-1000	±0.3	±0.8	±2	±4		
FOR ANGULAR DIMENSIONS	0-10	±1°	±1°30'	±3°		
	10-50	±0°30'	±1°	±2°		
	50-120	±0°20'	±0°30'	±1°		
	120-400	±0°10'	±0°13'	±0°30'		

Nr.	DWG. NO.	TITLE/ NAME		MAT'L	QTY	REFERENCE
DSND BY	CHKD BY	CHKD BY	APRV BY	VIEW	DATE	
S.H.KIM	J.H.PARK		J.K.HAN	3	2016.08.30	
TITLE			MODEL			
SEHN25 OUTLINE DRAWING			SEHN25			
			DWG. NO.	SEHN25_OUT		
			SCALE	SIZE	REV	SHEET
N/S	A4	00	1/1			

1 2 3 4 5 6

A4(297X210)