

1 2 3 4 5 6

A

A

B

B

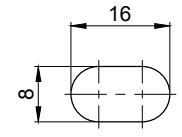
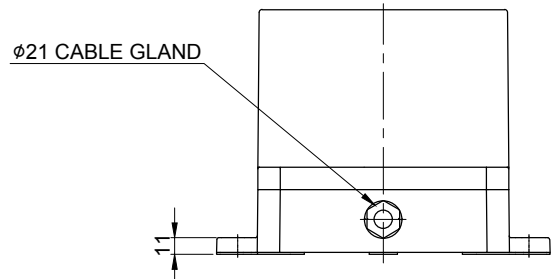
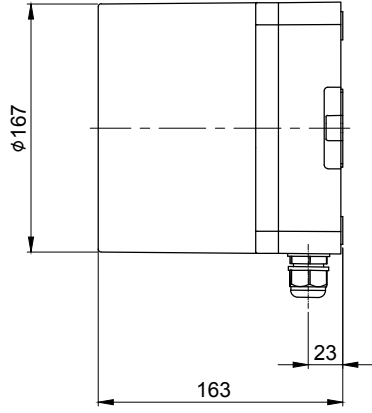
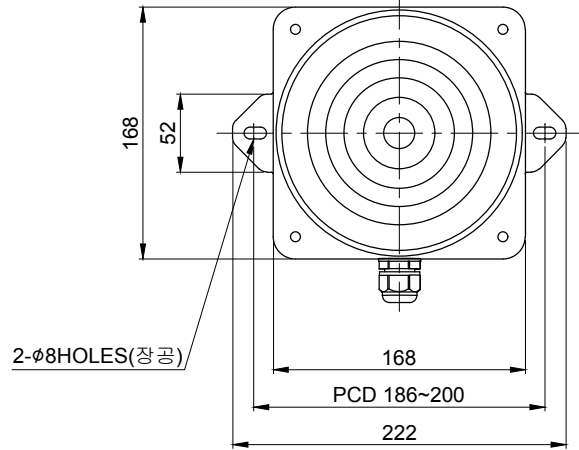
C

C

D

D

MARK	DATE	REVISION	REVISER	APP .BY
①				
②				
③				



FITTING HOLES

MODEL NO		QWH50		
MATERIAL		HORN-PC		
		HOUSING-ABS		
COLOR		MAKER STANDARD		
USE VOLT.	CURRNET	DC12V ~ DC24V		MAX. 3.480A
		AC110V ~ 220V		MAX. 0.460A
KIND OF SOUND	VOLUME	WARNING SOUNDS 31Ch		MAX. 123dB at 1m
		MP3 SOUNDS		MAX. 118dB at 1m
PROTECTION GRADE		WATER & DUST PROOF - IP66		
CABLE ENTRY		ø21 CABLE ENTRY		

	ISO2768-1 : CLASS OF TOLERANCE					SURFACE FINISH
	f	m	Ⓢ	v		
FOR LINEAR DIMENSIONS	0.5~3	±0.05	±0.1	±0.2	-	
	3~6			±0.3	±0.5	
	6~30	±0.1	±0.2	±0.5	±1	
	30~120	±0.15	±0.3	±0.8	±1.5	
	120~400	±0.2	±0.5	±1.2	±2.5	
	400~1000	±0.3	±0.8	±2	±4	
FOR ANGULAR DIMENSIONS	0~10	±1°		±1°30'	±3°	
	10~50	±0°30'		±1°	±2°	
	50~120	±0°20'		±0°30'	±1°	
	120~400	±0°10'		±0°13'	±0°30'	

Nr.	DWG. NO.	TITLE/ NAME		MAT'L	QTY	REFERENCE
DSND BY	CHKD BY	CHKD BY	APRV BY	VIEW	DATE	
S.H.KIM	J.H.PARK		J.K.HAN	3	2019.03.20	
TITLE			MODEL			
QWH50 OUTLINE DRAWING			QWH50			
			DWG. NO.		QWH50_OUT	
			SCALE	SIZE	REV	SHEET
N/S	A4	00	1/1			

1 2 3 4 5 6

A4(297X210)