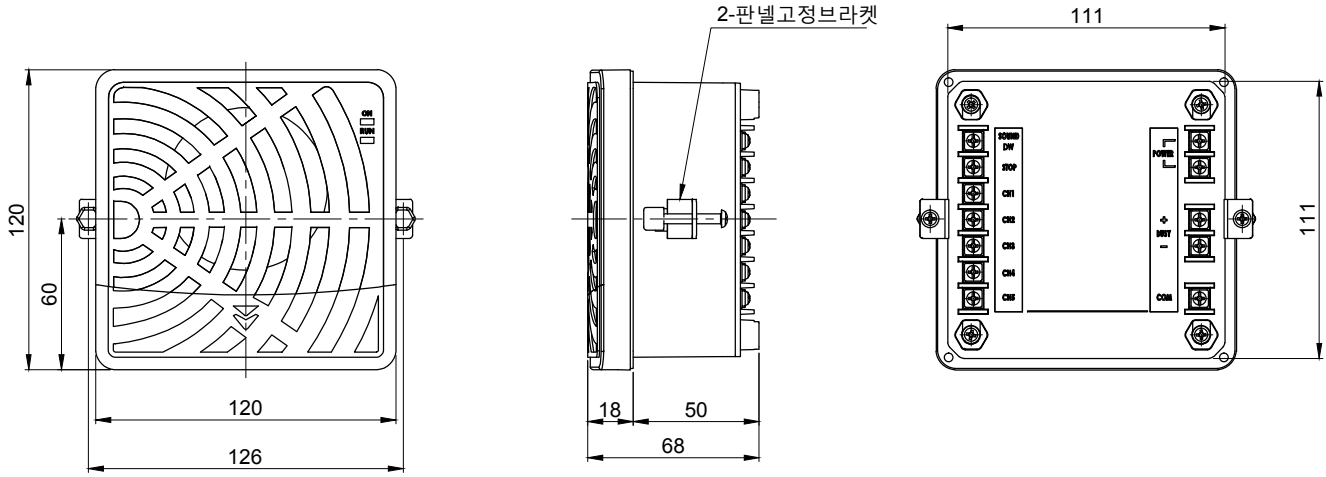


MARK	DATE	REVISION	REVISER	APP .BY
△1				J.K.HAN
△2				
△3				

MODEL NO		QMPS		
MATERIAL		BODY-ABS		
		COVER-ABS		
		BRACKET-SUS		
COLOR OF HOUSING		MAKER STANDARD		
USE VOLT.	CURRNET	DC12V ~ 24V	MAX. 0.570A	
		AC110V ~ 220V	MAX. 0.100A	
KIND OF SOUND	VOLUME	WARNING SOUNDS 31Ch	MAX. 98dB at 1m	
		MP3 SOUNDS	MAX. 95dB at 1m	
PROTECTION GRADE		WATER & DUST PROOF - IP54		
CABLE ENTRY		TERMINAL		



FOR LINEAR DIMENSIONS	ISO2768-1 : CLASS OF TOLERANCE					SURFACE FINISH
	f	m	⊙	v		
0.5~3	±0.05	±0.1	±0.2	-		
3~6			±0.3	±0.5		
6~30	±0.1	±0.2	±0.5	±1		
30~120	±0.15	±0.3	±0.8	±1.5		
120~400	±0.2	±0.5	±1.2	±2.5		
400~1000	±0.3	±0.8	±2	±4		
FOR ANGULAR DIMENSIONS	0~10	±1°	±1°30'	±3°		
	10~50	±0°30'	±1°	±2°		
	50~120	±0°20'	±0°30'	±1°		
	120~400	±0°10'	±0°13'	±0°30'		

Nr.	DWG. NO.	TITLE/ NAME		MAT'L	QTY	REFERENCE
DSND BY	CHKD BY	CHKD BY	APRV BY	VIEW	DATE	
S.H.KIM	J.H.PARK		J.K.HAN	3	2019.03.20	
TITLE			MODEL			
QMPS OUTLINE DRWAING			QMPS			
			DWG. NO.	QMPS_OUT		
			SCALE	SIZE	REV	SHEET
N/S	A4	00	1/1			