

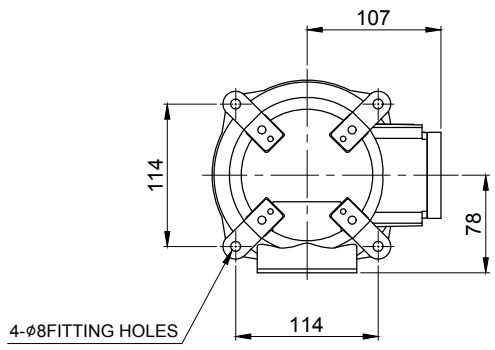
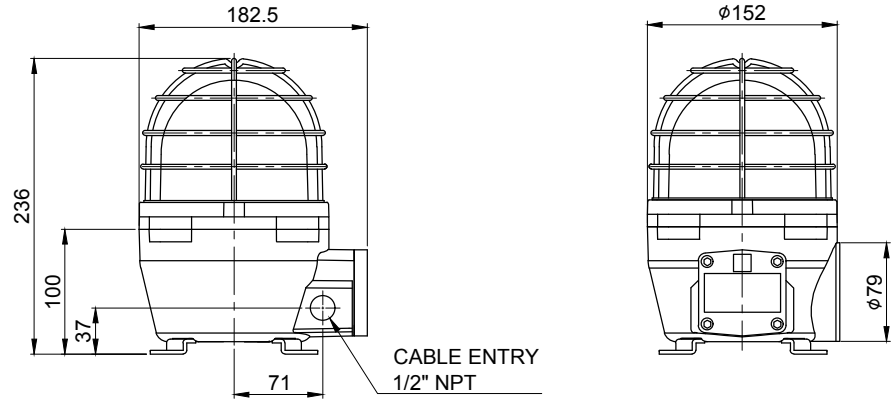
1 2 3 4 5 6

A

B

C

D



MARK	DATE	REVISION	REVISER	APP. BY
①				
②				
③				

MODEL NO		SNE			
MATERIAL		HOUSING-AL			
		LENS-TEMPERED GLASS			
		PROTECTION CAGE-SS316L			
		REFLECTOR-PC			
COLOR OF LENS		RED(), AMBER(), GREEN(), BLUE()			
REV. PER MIN.		120 ~ 140			
USE VOLT.	BULB	CURRENT	DC12V	15W	1.545A
			DC24V		0.766A
			AC110V		0.204A
			AC220V		0.102A
PROTECTION GRADE		WATER & DUST PROOF IP66			
CABLE ENTRY		1/2" NPT			
COLOR OF HOUSING		MUNSELL NO. 7.5BG 7/2			
ACTION		BLUB REVOLVING WARNING LIGHT			

FOR LINEAR DIMENSIONS	ISO2768-1 : CLASS OF TOLERANCE					SURFACE FINISH
	f	m	Ⓢ	v		
0.5~3	±0.05	±0.1	±0.2	-		
3~6			±0.3	±0.5		
6~30	±0.1	±0.2	±0.5	±1		
30~120	±0.15	±0.3	±0.8	±1.5		
120~400	±0.2	±0.5	±1.2	±2.5		
400~1000	±0.3	±0.8	±2	±4		
FOR ANGULAR DIMENSIONS	0~10	±1°	±1°30'	±3°		
	10~50	±0°30'	±1°	±2°		
	50~120	±0°20'	±0°30'	±1°		
	120~400	±0°10'	±0°13'	±0°30'		

Nr.	DWG. NO.	TITLE/ NAME		MAT'L	QTY	REFERENCE
DSND BY	CHKD BY	CHKD BY	APRV BY	VIEW	DATE	
S.H.KIM	J.H.PARK		J.K.HAN	3	2019.03.20	
TITLE			MODEL			
SNE OUTLINE DRAWING			SNE			
			DWG. NO.	SNE_OUT		
			SCALE	SIZE	REV	SHEET
N/S	A4	00	1/1			

1 2 3 4 5 6 A4(297X210)